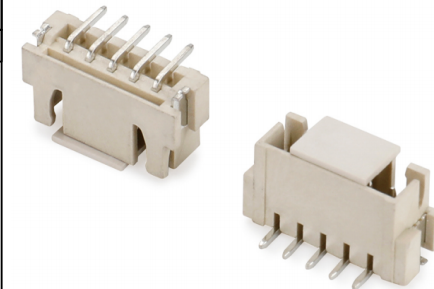




REV. LTR.	DESCRIPTION	APPROVAL	DATE
A2	Update drawing	W. Q. LI	2024. 08. 08

Specifications:

1. Voltage rating: 250V AC/DC.
2. Current rating: 3.0A AC/DC.
3. Withstanding voltage: 1000V AC/minute.
4. Ambient temperature range: -25 ~ +85°C.
5. Insulation resistance:  $\geq 100M\Omega$ .
6. Contact resistance:  $\leq 0.02m\Omega$ .
7. Applicable wire Sizes: AWG#22 ~ #28.
8. Housing①: LCP UL94V-0 Natural.
9. Upper terminal②: Brass/Tin Plating.
10. Fitting Nail③: Brass/Tin Plating.
11. Cover④: LCP UL94V-0 Natural.

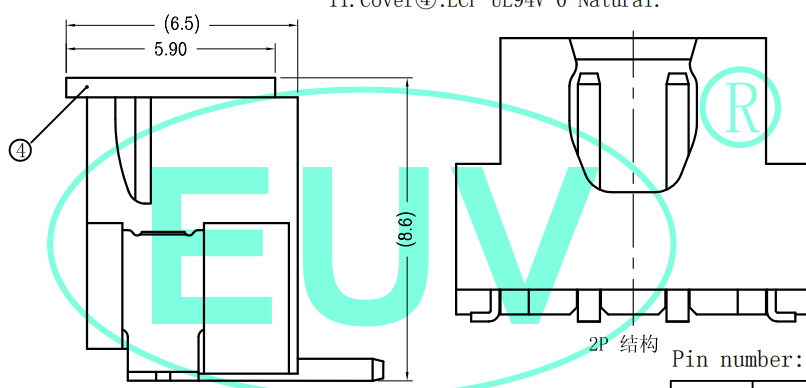
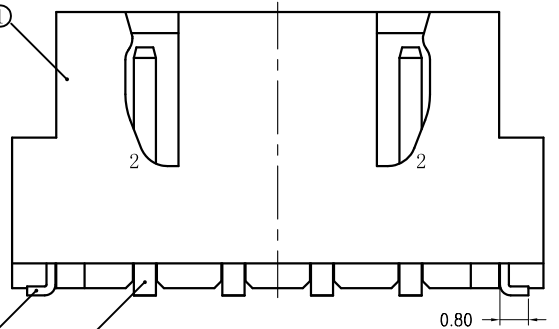
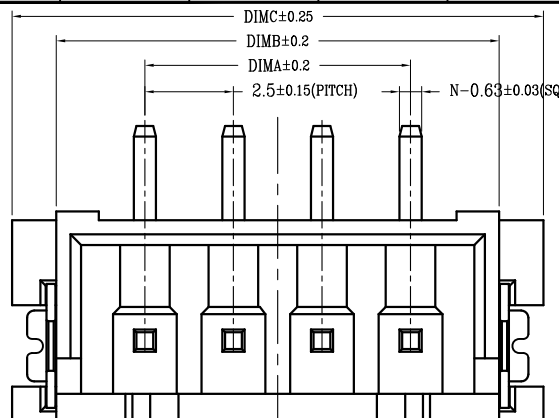


Outside drawing

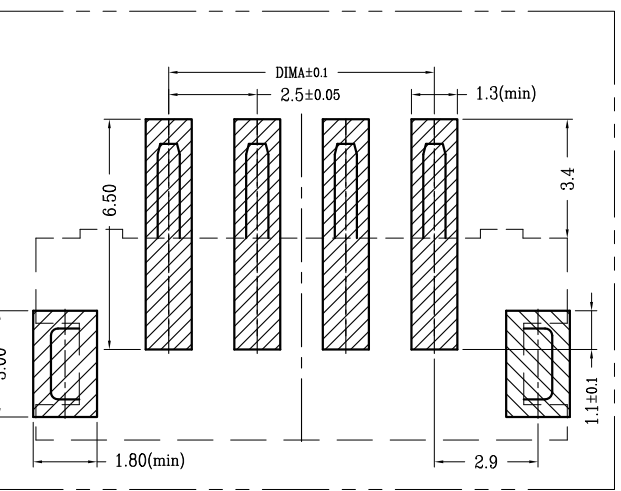
Product material No:

EN250ALT-\*\*\* \*\* \*\*

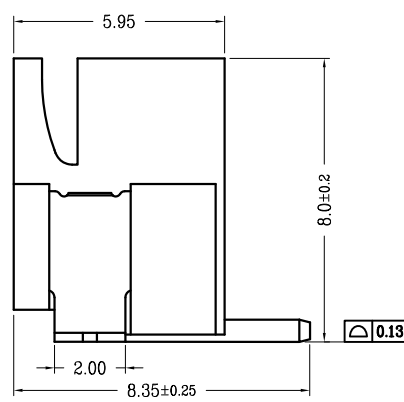
- NO OF Poles
- Terminal Plating
  - T=Tube
  - B=Bright-Tin
  - M=Mist-Tin
  - G=Gold flash
- Plastic Material
  - P=PA6T
  - T=PA9T
  - L=LCP
- Packing
  - T=Tube
  - B=Bag
  - R=Tape&Reel
- Plastic Color
  - Y=Faint Yellow
  - R=Red
  - B=Black
  - W=White



WITH COVER



Recommended P. C.B Layout  
General Tolerance  $\pm 0.05$



Pin number:

Poles	DIM A	DIM B	DIM C	Poles	DIM A	DIM B	DIM C
2P	2.50	7.50	10.00	12P	27.50	32.50	35.00
3P	5.00	10.00	12.50	13P	30.00	35.00	37.50
4P	7.50	12.50	15.00	14P	32.50	37.50	40.00
5P	10.00	15.00	17.50	15P	35.00	40.00	42.50
6P	12.50	17.50	20.00	16P	37.50	42.50	45.00
7P	15.00	20.00	22.50				
8P	17.50	22.50	25.00				
9P	20.00	25.00	27.50				
10P	22.50	27.50	30.00				
11P	25.00	30.00	32.50				

<http://www.euvchn.com>

**EUV** EUV ELECTRONICS CO., LTD  
兆進電子有限公司

30~Above $\pm 0.30$	ANGLE: $\angle \pm 1^\circ$	TITLE	2.50mm Connectors (180° SMT)		
10~30 $\pm 0.20$	SCALE: 1:1	PART NO.	EN250ALT-***-***-*		
5~10 $\pm 0.15$	SHEET: 1 OF 1	PROJECT	APPROVAL	CHECK	DATE
0~5 $\pm 0.10$	PROJECT	APPROVAL	W. Q. LI	X. H. LIN	2024. 08. 08
TOLERANCES ARE (UNIT: mm)	SIZE: A4	W. Q. LI	X. H. LIN	K. J. ZENG	2024. 08. 08