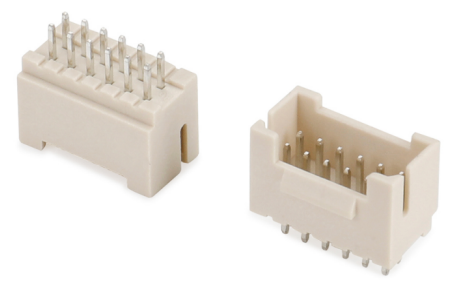


REV. LTR.	DESCRIPTION	APPROVAL	DATE
A2	Update drawing	W. Q. LI	2024.06.06

- Specifications:
1. Voltage rating: 250V AC/DC.
 2. Current rating: 3.0A AC/DC.
 3. Withstanding voltage: 800V AC/minute.
 4. Ambient temperature range: -40 ~ +85°C.
 5. Insulation resistance: $\geq 1000M\Omega$.
 6. Contact resistance: $\leq 20m\Omega$.
 7. Applicable wire Sizes: AWG#22 ~ #28.
 8. Housing ①: PA6T UL94-0 Natural.
 9. Upper terminal ②: Brass/Tin Plating.



Outside drawing

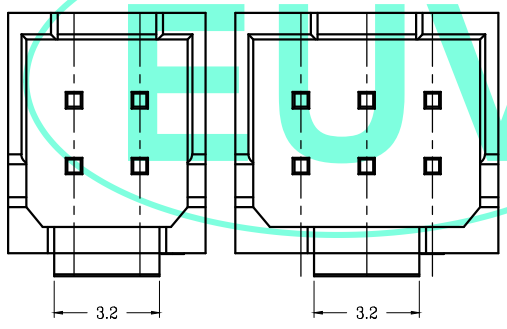
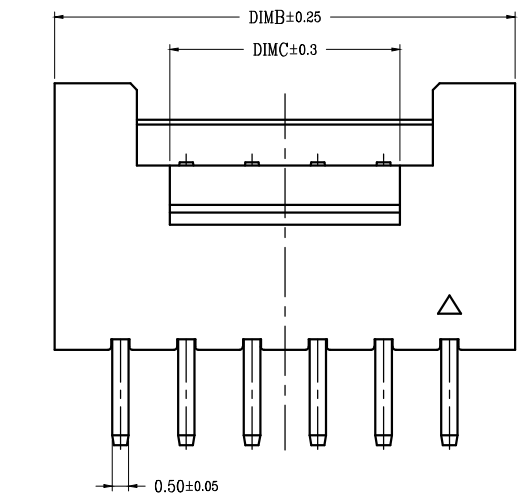
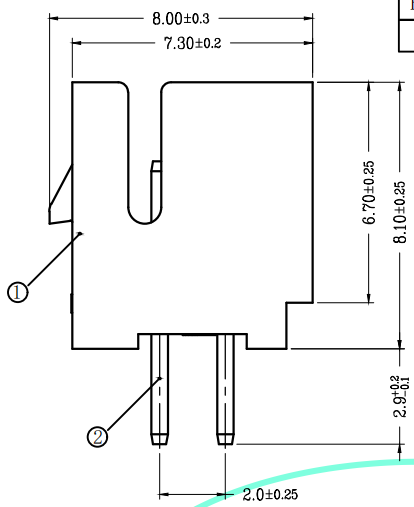
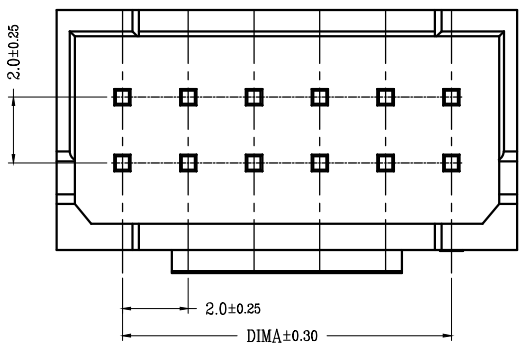
Product material No:
EN200KSLC-**-** * ** *

- NO OF Poles
- Terminal Plating
- B=Bright-Tin
 - M=Mist-Tin
 - G=Gold flash
- Plastic Material
- P=PA6T
 - T=PA9T
 - L=LCP
- Packing
- T=Tube
 - B=Bag
 - R=Tape&Reel
- Plastic Color
- Y=Faint Yellow
 - R=Red
 - B=Black
 - W=White

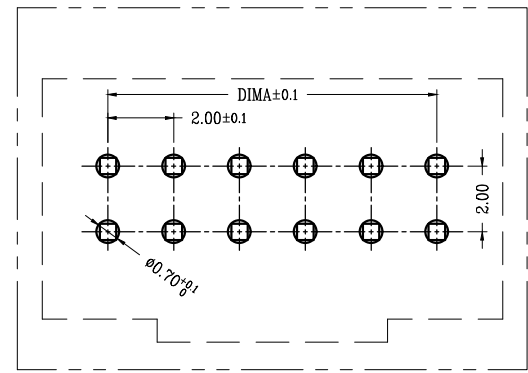


Pin number:

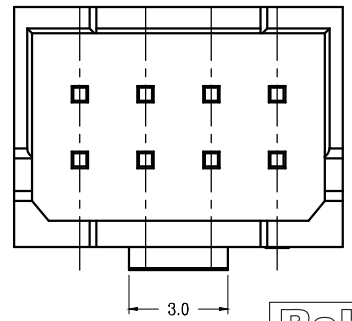
Poles	DIM A	DIM B	DIM C	Poles	DIM A	DIM B	DIM C
2X2P	2.00	6.00	3.20	2X12P	22.00	26.00	19.00
2X3P	4.00	8.00	3.20	2X13P	24.00	28.00	21.00
2X4P	6.00	10.00	3.00	2X14P	26.00	30.00	23.00
2X5P	8.00	12.00	5.00	2X15P	28.00	32.00	25.00
2X6P	10.00	14.00	7.00	2X16P	30.00	34.00	27.00
2X7P	12.00	16.00	9.00	2X17P	32.00	36.00	29.00
2X8P	14.00	18.00	11.00	2X18P	34.00	38.00	31.00
2X9P	16.00	20.00	13.00	2X19P	36.00	40.00	33.00
2X10P	18.00	22.00	15.00	2X20P	38.00	42.00	35.00
2X11P	20.00	24.00	17.00	2X21P	40.00	44.00	37.00



2~3P结构样式



Recommended P.C.B Layout
General Tolerance ± 0.05



4P 结构样式



http://www.euvchn.com		EUV ELECTRONICS CO., LTD			
30~Above ± 0.30		ANGLE: $\angle \pm 1^\circ$		EUV 兆進電子有限公司	
10~30 ± 0.20		SCALE: 1:1		TITLE 2.00mm Connectors (180° SMT)	
5~10 ± 0.15		SHEET: 1 OF 1		PART NO. EN200KSLC-**-** ** *	
0~5 ± 0.10		PROJECT		APPROVAL	
TOLERANCES ARE (UNIT: mm)		SIZE: A4		CHECK	
		W. Q. LI		DRAWN	
		X. H. LIN		DATE	
		K. J. ZENG		2024.06.06	