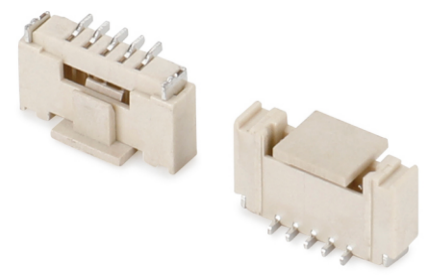




REV. LTR.	DESCRIPTION	APPROVAL	DATE
A2	Update drawing	W. Q. LI	2024.06.06



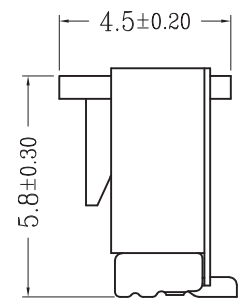
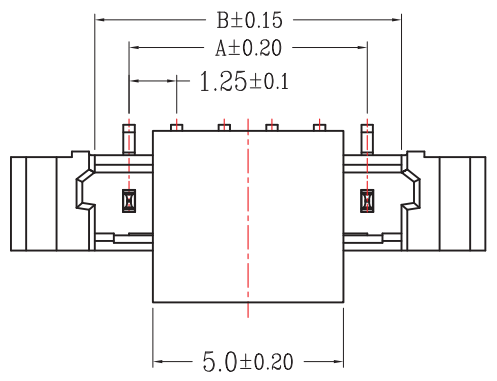
Outside drawing

- Specifications:
1. Voltage rating:125V AC/DC.
  2. Current rating:1.0A AC/DC.
  3. Withstanding voltage:500V AC/minute.
  4. Ambient temperature range:-40 ~ +105℃.
  5. Insulation resistance:≧500MΩ.
  6. Contact resistance:≧20mΩ.
  7. Applicable wire Sizes:AWG#26 ~ #32.
  8. Housing①:LCP UL94V-0 Natural.
  9. Upper terminal②:Brass/Tin Plating.
  10. Fitting Nail③:Brass/Tin Plating.
  11. Cover④:LCP UL94V-0 Natural.

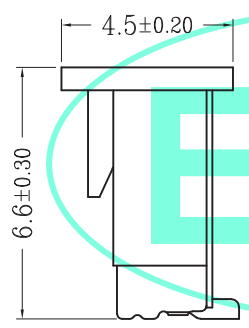
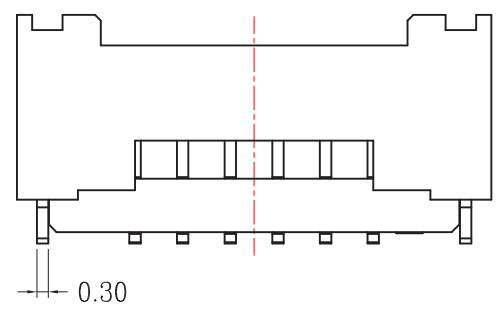
Product material No:

EN125DLT-\*\*\*-\*\*\*-\*\*\*

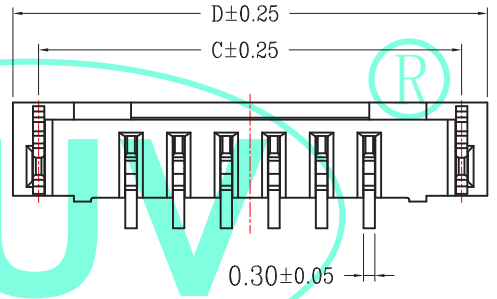
- NO OF Poles
- Terminal Plating
- B=Bright-Tin
- M=Mist-Tin
- G=Gold flash
- Plastic Material
- P=PA6T
- T=PA9T
- L=LCP
- Packing
- T=Tube
- B=Bag
- R=Tape&Reel
- Plastic Color
- Y=Faint Yellow
- R=Red
- B=Black
- W=White



大于3Pin 结构

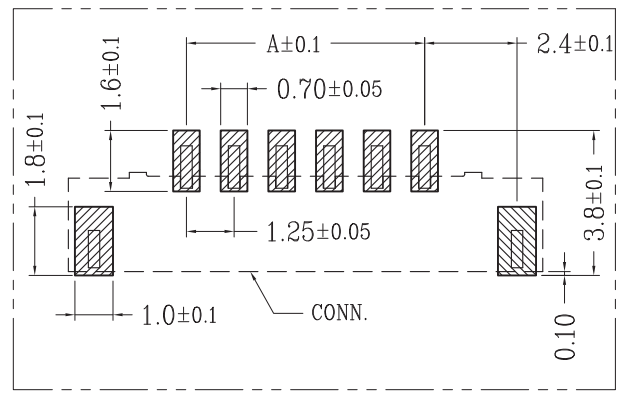


2~3Pin 结构

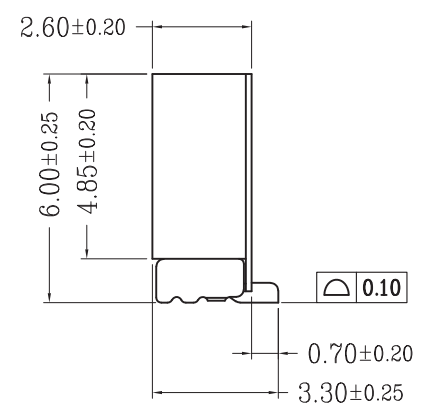


Pin number:

Poles	DIM A	DIM B	DIM C	DIM D	Poles	DIM A	DIM B	DIM C	DIM D
2P	1.25	3.05	6.10	7.45	12P	13.75	15.55	18.60	19.95
3P	2.50	4.30	7.35	8.70	13P	15.00	16.80	19.85	21.20
4P	3.75	5.55	8.60	9.95	14P	16.25	18.05	21.10	22.45
5P	5.00	6.80	9.85	11.20	15P	17.50	19.30	22.35	23.70
6P	6.25	8.05	11.10	12.45	16P	18.75	20.55	23.60	24.95
7P	7.50	9.30	12.35	13.70	18P	21.25	23.05	26.10	27.45
8P	8.75	10.55	13.60	14.95	20P	23.75	25.55	28.60	29.95
9P	10.00	11.80	14.85	16.20	30P	36.25	38.05	41.10	42.45
10P	11.25	13.05	16.10	17.45					
11P	12.50	14.30	17.35	18.70					



Recommended P.C.B Layout  
General Tolerance ±0.05



<http://www.euvchn.com>



30~Above ±0.30	ANGLE: ∠±1°	TITLE	1.25mm Connectors (180° SMT)		
10~30 ±0.20	SCALE:1:1	PART NO.	EN125DLT-***-***-***		
5~10 ±0.15	SHEET:1 OF 1	APPROVAL	CHECK	DRAWN	DATE
0~5 ±0.10	PROJECT	W. Q. LI	X. H. LIN	K. J. ZENG	2024.06.06
TOLERANCES ARE (UNIT:mm)	SIZE:A4				